

Diaphragm type thrust cylinders

Series 078 for max 0,8 MPa (110 psi)

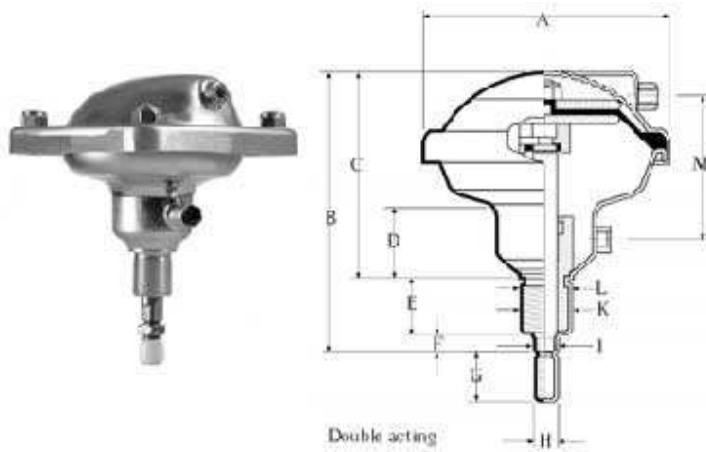
Serie 078 diaphragm type cylinders are available single and double acting. The air inlets are facing sideways to minimize the overall height.

The Diaphragm are made of textile reinforced nitrile rubber. they have an extra reinforcement around the center hole and a triangular edge profile to form a positive seal. The standard piston rod material is SS 1650 steel. Stainless steel rods are available. The piston rods have a square wrenchgrip and are easily exchanged.

Diaphragm thrust cylinders is also available in stainless steel W1.4401/316. on type 300, 600 and 1200. Diaphragm thrust cylinders fulfil the applications in demanding and tough environments as in the marine sector and process industry.



Type	Thrust at 0,6 MPa Newtons	Stroke mm	Return spring thrust. Newton min	Return spring thrust. Newton max	Displacement dm ³ +	Displacement dm ³ -	Inlet dim.	A mm	B mm	C mm
ME 300-40	3000	40	100	300	0,5	-	R1/4"	150	183	131
MD 300-40	3000	40	-	-	0,5	0,42	R1/4"	150	183	131
ME 600-50	6000	50	100	650	1,05	-	R1/4"	195	212	154
MD 600-50	6000	50	-	-	1,05	0,92	R1/4"	195	212	154
ME 1200-50	12000	50	240	1000	1,96	-	R1/2"	261	243	178
MD 1200-50	12000	50	-	-	1,96	1,9	R1/2"	261	243	178



Type	H	I	K	L	M	Weight	D	E	F	G
	mm	mm	mm	mm	mm	kg	mm	mm	mm	mm
ME 300-40	M12x1,75	16	M24x2	30	90	2,8	48	38	14	24
MD 300-40	M12x1,75	16	M24x2	30	90	2,6	48	38	14	24
ME 600-50	M16x2	20	M36x3	43	107	5,6	55	38	20	32
MD 600-50	M16x2	20	M36x3	43	107	5,4	55	38	20	32
ME 1200-50	M20x2,5	25	M36x3	43	117	12,2	58	45	20	40
MD 1200-50	M20x2,5	25	M36x3	43	117	11,4	58	45	20	40